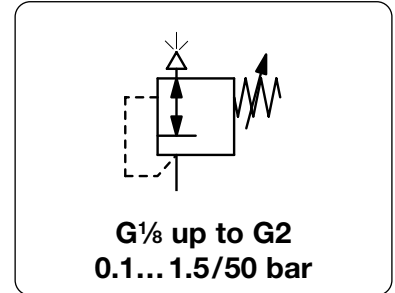


Description	Back pressure regulators protect pneumatic devices against overpressure. If the pressure exceeds the setpoint, the pressure valve exhausts to the atmosphere until the pressure level is below the setpoint. It is advisable to select the pressure range as near as possible to the maximum setpoint.		
Media	compressed air, non-corrosive gases or liquids	Overpressure	see chart, max. 70 bar
Adjustment	by black plastic knob with snap-lock for DBM-02/-03 by T-handle with locknut for DBM-04 to -16		
Gauge port	G $\frac{1}{4}$ on both sides of the body, from DBC-02 on screw plugs supplied		
Temperature range	0 °C to 80 °C / 32 °F to 176 °F for FKM or EPDM 0 °C to 130 °C / 32 °F to 266 °F high temperature version, for appropriately conditioned compressed air down to -20 °C / -4 °F, or low temperature version down to -40 °C / -40 °F		
Mounting position	any		
Material	Body: brass Diaphragm: NBR/Buna-N with PTFE coating	O-rings: FKM, optionally EPDM Inner valve: brass	

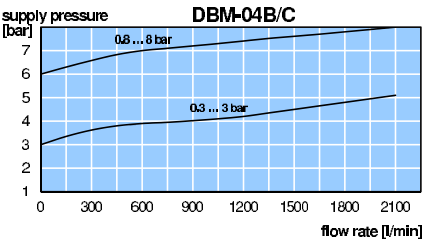
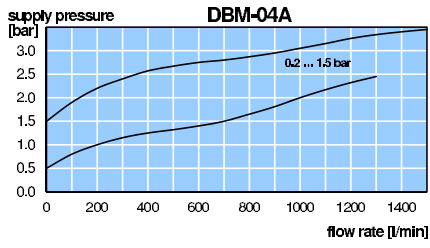
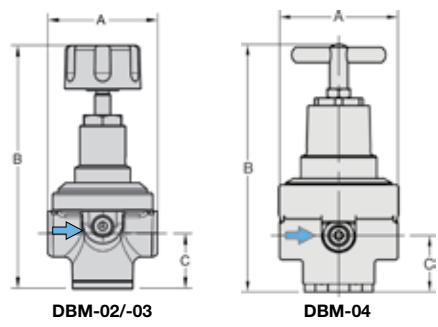


Dimensions			Regul. system	Relief capacity	Over-pressure	Connection thread	Adjustment range	Order number
A	B	C	D: diaphragm P: piston	l/min*1	max. bar	G	bar	

Brass back pressure regulator								overpressure max. 30/65 bar	DBM
69	150	35	D	800	30	G $\frac{1}{4}$	0.2 ... 1.5	DBM-02A	
							0.3 ... 3.0	DBM-02B	
							0.8 ... 8.0	DBM-02D	
							1.5 ... 15	DBM-02E	
69	145	35	P		65		3.0 ... 30	DBM-02F	
69	160	35					5.0 ... 50	DBM-02G	
69	150	35	D	800	30	G $\frac{3}{8}$	0.2 ... 1.5	DBM-03A	
							0.3 ... 3.0	DBM-03B	
							0.8 ... 8.0	DBM-03D	
							1.5 ... 15	DBM-03E	
69	145	35	P		65		3.0 ... 30	DBM-03F	
69	160	35					5.0 ... 50	DBM-03G	
78	170	38	D	2500	30	G $\frac{1}{2}$	0.2 ... 1.5	DBM-04A	
							0.3 ... 3.0	DBM-04B	
							0.8 ... 8.0	DBM-04D	
							1.5 ... 15	DBM-04E	
78	170	38	P		65		3.0 ... 30	DBM-04F	
							5.0 ... 50	DBM-04G	
118	291	66	D	8000	30	G $\frac{3}{4}$	0.2 ... 1.5	DBM-06A	
							0.3 ... 3.0	DBM-06B	
							0.8 ... 8.0	DBM-06D	
							1.5 ... 15	DBM-06E	
118	313	66	P		65		3.0 ... 30	DBM-06F	
							5.0 ... 50	DBM-06G	
118	291	66	D	8000	30	G1	0.2 ... 1.5	DBM-08A	
							0.3 ... 3.0	DBM-08B	
							0.8 ... 8.0	DBM-08D	
							1.5 ... 15	DBM-08E	
118	313	66	P		65		3.0 ... 30	DBM-08F	
							5.0 ... 50	DBM-08G	



Back pressure



*1 at 7 bar overpressure and open outlet
*2 02 = 0...2.5 bar, 04 = 0...4 bar, 06 = 0...6 bar, 10 = 0...10 bar, 16 = 0...16 bar, 25 = 0...25 bar 60 = 0...60 bar

* Product group

Gauges: see chapter for measuring devices

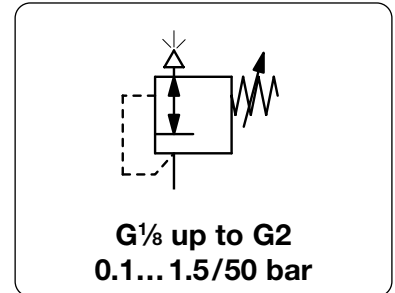
PDF CAD
www.aircom.net

Order example:
DBM-02A

BRASS BACK PRESSURE REGULATOR, UP TO 50 BAR

DBM

Description	Back pressure regulators protect pneumatic devices against overpressure. If the pressure exceeds the setpoint, the pressure valve exhausts to the atmosphere until the pressure level is below the setpoint. It is advisable to select the pressure range as near as possible to the maximum setpoint.		
Media	compressed air, non-corrosive gases or liquids	Overpressure	see chart, max. 70 bar
Adjustment	by spindle with locknut for DBM-01 by T-handle with locknut for DBM-04/-08	by black plastic knob with snap-lock for DBM-02/-03 by hexagonal spindle (spanner size 24 mm) with locknut for DBM-12/-16	
Gauge port	G $\frac{1}{4}$ on both sides of the body, from DBC-02 on G $\frac{1}{2}$ at DBM-01, screw plugs supplied		
Temperature range	0 °C to 80 °C / 32 °F to 176 °F for FKM or EPDM 0 °C to 130 °C / 32 °F to 266 °F high temperature version, for appropriately conditioned compressed air down to -20 °C / -4 °F, or low temperature version down to -40 °C / -40 °F		
Mounting position	any		
Material	Body: brass Diaphragm: NBR/Buna-N with PTFE coating	O-rings: FKM, optionally EPDM Inner valve: brass	



Dimensions			Regul. system	Relief	Over-	Connection	Adjustment	Order
A	B	C	D: diaphragm	capacity	pressure	thread	range	number
mm	mm	mm	P: piston	l/min*1	max. bar	G	bar	

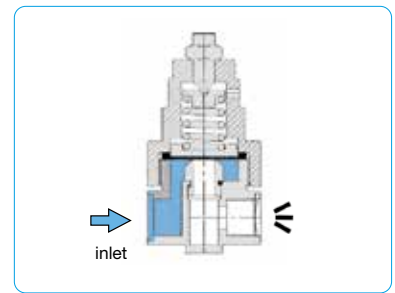
Brass back pressure regulator							overpressure max. 30/65 bar	DBM
174	283	35	P	28000	70	G1½	0.2... 1.5	DBM-12A
							0.3... 3.0	DBM-12B
							0.8... 8.0	DBM-12D
							1.5... 15	DBM-12E
							3.0... 30	DBM-12F
							5.0... 50	DBM-12G
174	283	35	K	28000	70	G2	0.2... 1.5	DBM-16A
							0.3... 3.0	DBM-16B
							0.8... 8.0	DBM-16D
							1.5... 15	DBM-16E
							3.0... 30	DBM-16F
							5.0... 50	DBM-16G



DBM-12/-16

Special options, add the appropriate letter

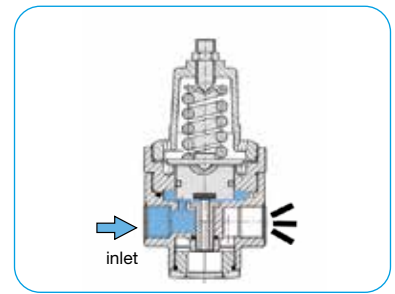
NPT	connection thread			DBM-... N
down to -40 °C / -40 °F	low temperature version			DBM-... X51
up to 130 °C / 266 °F	high temperature version			DBM-... X54
EPDM o-ring	PTFE diaphragm			DBM-... E
T-handle	instead of knob			DBM-... T
flange connection	see chapter for stainless steel devices / flanges			DBM-... F.
nitrogen	N $_2$: 07	carbon dioxide	CO $_2$: 03	argon Ar: DBM-... 05
helium	He: 09	hydrogen	H $_2$: 11	methane CH $_4$: DBM-... 13
oxygen	O $_2$: 15	propane	C $_3$ H $_8$: 16	nitrous oxide N $_2$ O: DBM-... 17
		water	H $_2$ O: DBM-... W	



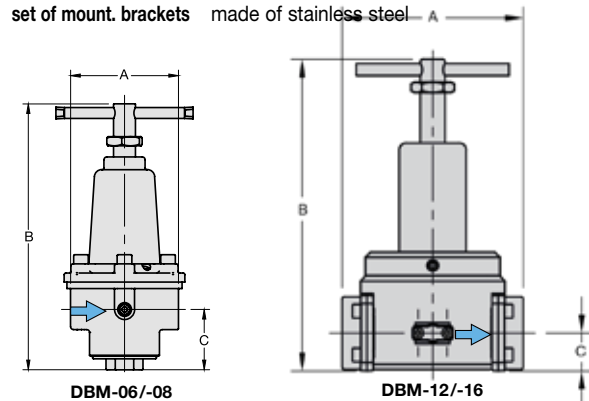
cross-section with diaphragm (D)

Accessories, enclosed

pressure gauge	Ø 50 mm, 0...*2 bar, G $\frac{1}{4}$	for G $\frac{1}{4}$ and G $\frac{1}{2}$	MA5002-...*
	Ø 63 mm, 0...*2 bar, G $\frac{1}{4}$	for G $\frac{3}{4}$ to G2	MA6302-...*
	Ø 50 / Ø 63 mm, 0...25 bar, G $\frac{1}{4}$	für G $\frac{1}{4}$ bis G2	MA...02-25
	Ø 50 / Ø 63 mm, 0...60 bar, G $\frac{1}{4}$	für G $\frac{1}{4}$ bis G2	MA...02-60
mounting bracket	made of stainless steel	for G $\frac{1}{4}$ and G $\frac{3}{8}$	BW35-01S
mounting nut	made of stainless steel	for G $\frac{1}{4}$ and G $\frac{3}{8}$	M35x1,5S
mounting bracket	made of stainless steel	for G $\frac{1}{2}$	BW50-01S
mounting nut	made of stainless steel	for G $\frac{1}{2}$	M50x1,5S
mounting bracket	made of steel	for G $\frac{3}{4}$ and G1	BW00-42
set of mount. brackets	made of stainless steel	for G1½ and G2	BW00-63S

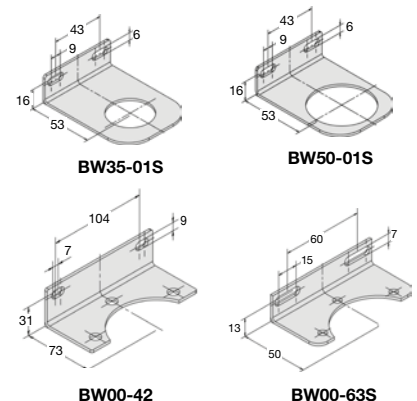


cross-section with piston (P)



DBM-06/-08

DBM-12/-16



BW35-01S

BW50-01S

BW00-42

BW00-63S

*1 at 7 bar overpressure and open outlet

*2 02 = 0...2.5 bar, 04 = 0...4 bar, 06 = 0...6 bar, 10 = 0...10 bar, 16 = 0...16 bar, 25 = 0...25 bar, 60 = 0...60 bar

Gauges: see chapter for measuring devices

PDF CAD
www.aircom.net

* Product group



Order example:
DBM-12A

